

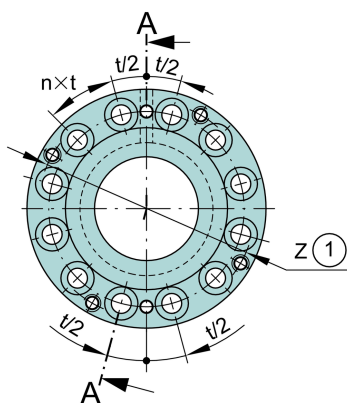
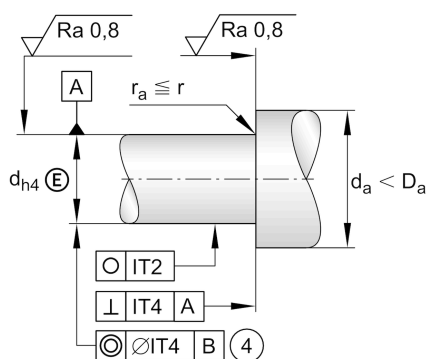
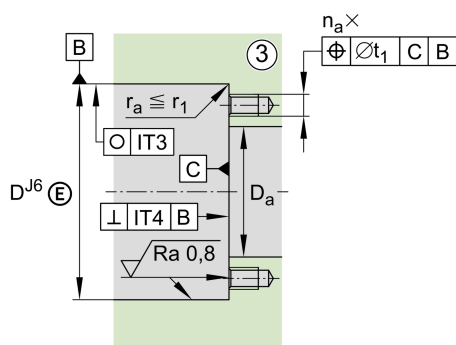
ZARF60150-TV

Needle roller/axial cylindrical roller bearing

Schaeffler ID:
0016833140000

Needle roller/axial cylindrical roller bearings ZARF, double direction, for screw mounting

Technical information

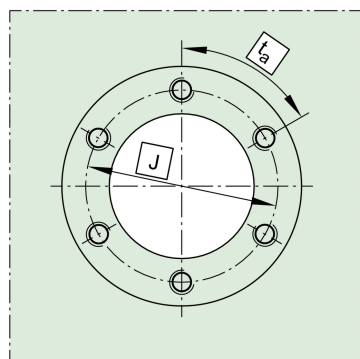
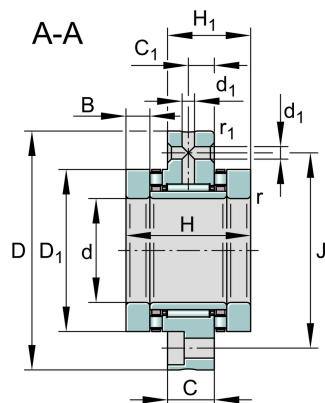


Main Dimensions & Performance Data

d	60 mm	Bore diameter
D	150 mm	Outside diameter
H	82 mm	Height
C _r	44,500 N	Basic dynamic load rating, radial
C _{0r}	92,000 N	Basic static load rating, radial
C _a	187,000 N	Basic dynamic load rating, axial
C _{0a}	550,000 N	Basic static load rating, axial
C _{ur}	12,900 N	Fatigue load limit, radial
C _{ua}	51,000 N	Fatigue load limit, axial
n _{G Grease}	950 1/min	Limiting speed for grease lubrication
n _{G Oil}	2,700 1/min	Limiting speed for oil lubrication
M _{RL}	4.2 Nm	Bearing friction torque
	4.51 kg	Weight

Dimensions

H ₁	51 mm	Height outer ring over wave washer
c _{aL}	5,300 N/μm	Rigidity axial
c _{kL}	4,300 Nm/mrad	Tilting stiffness
C	22.5 mm	Width, outer ring
	1 μm	Axial runout
C ₁	12.5 mm	Distance to lubrication hole
D ₁	105 mm	Rip diameter shaft washer
M _A	250 Nm	Tightening torque nut
	41,144 N	Preload force axial
B	17.5 mm	Width, inner ring
r _{min}	0.3 mm	Minimum chamfer dimension
r _{1 min}	0.6 mm	Minimum chamfer dimension
d ₁	6 mm	Diameter lubrication hole
J	123 mm	Pitch circle diameter (holes)
n x t	30 °	Split
t ₁	0.2 mm	Position bore in the housing



Mounting dimensions

$D_{a \max}$	106 mm	Maximum diameter of housing shoulder
$d_{a \min}$	90 mm	Minimum diameter shaft shoulder
	ZMA60/98	Locknut 1
	AM60	Locknut 2
n	12	Number (screwing holes)
	M10	Screw size
M_M	43.8 kg * cm ²	Mass moment of inertia
n	12	Number of screws
na x ta	30 °	Division (screwing holes)